

## Robotic Thyroidectomy Instrument Set

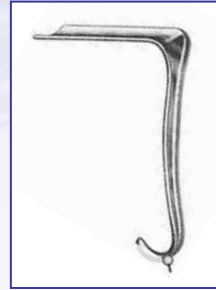
DESCRIPTION	PRODUCT #
Kuppersmith Retractor Set with All Blades	110-702
Table Post and Clamp	110-712
Horizontal Extension Bar and Coupler	110-714
Breast Lighted Retractor: 120mm x 25mm (2 ea)	110-676LS
U.S. Army Retractor - Set of Two: 8.5in (2 ea)	110-122
Jackson Right Angle Retractor: 3.5in x 1.5in (2 ea)	254-735
Senn-Mueller Retractor: 6.25in (2 ea)	110-076
DeBakey Tissue Forceps: 2mm Tip, 9.5in	060-524
DeBakey Tissue Forceps: 2mm Tip, 11.75in	060-526



110-676LS



110-122



254-735



110-076



060-524 / 060-526

PRESORTED  
STANDARD  
U.S. POSTAGE  
**PAID**  
FT. LAUD., FL  
PERMIT #5158

# Kuppersmith Robotic Thyroidectomy Retractor Set

The Most Comprehensive Surgical Retractor Available  
For Robot-Assisted Endoscopic Thyroid Surgery



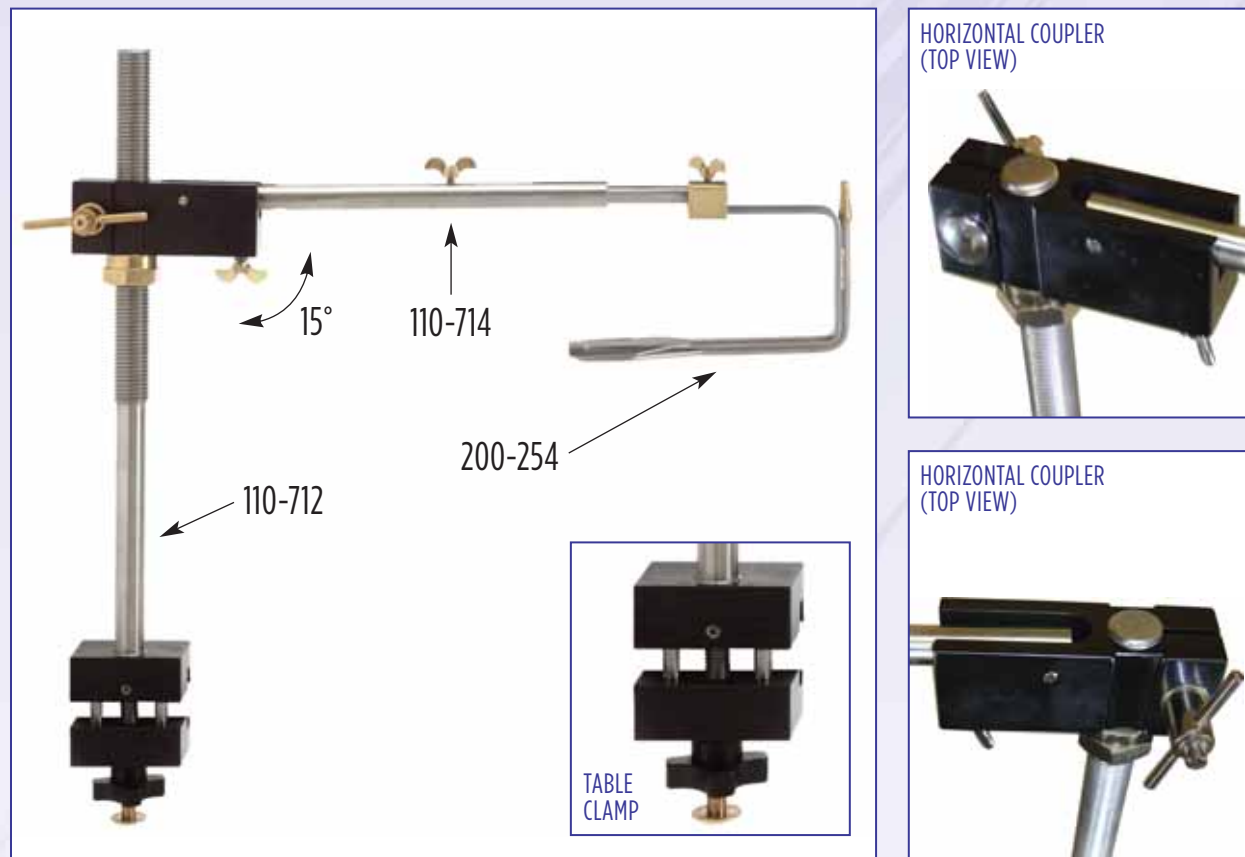
955 Shotgun Road • Sunrise, FL 33326 • USA



## Components of the Koppersmith Thyroidectomy Retractor Set

There are three major components of the Koppersmith Thyroidectomy Retractor Set:

1. Table Post and Clamp (110-712)
2. Horizontal Extension Bar and Coupler (110-714)
3. Koppersmith Retractor (200-254 / 200-255 / 200-256 / 200-257 / 200-259 / 200-263)



### 1. Table Post and Clamp (110-712)

- The Table Post and Clamp measures 22". The Table Clamp is universal for any OR bed.
- 10" of height adjustment allows precision adjustment for any patient.

### 2. Horizontal Extension Bar and Coupler (110-714)

- The Horizontal Extension Bar adjusts up to a maximum length of 21.5" (not including the Retractor).
- For precise placement the Horizontal Extension Bar can be articulated 15° up or down with the simple turn of a knob.

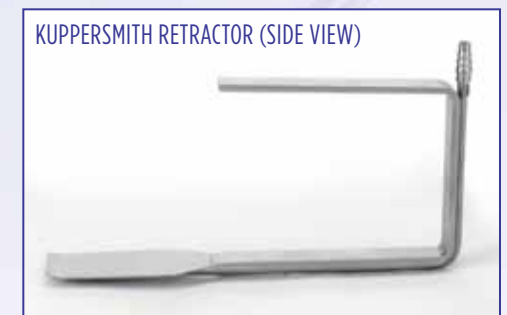
## 3. Koppersmith Retractor

- Designed to provide optimal space and visualization.
- Smoke evacuation tube keeps surgical site free of smoke plume.
- A variety of retractor sizes are available.
- Designed specifically for North American patients.

### Koppersmith Retractor Sizes

WIDTH	LENGTH	PRODUCT #
50 mm	19.5 cm	200-255
60 mm	19.5 cm	200-254
70 mm	19.5 cm	200-256
50 mm	22.5 cm	200-257
60 mm	22.5 cm	200-259
70 mm	22.5 cm	200-263

Other sizes and custom specifications are available.



*The Retractor Set is handmade in the United States and carries a limited lifetime warranty against manufacturing defects. Any part of the Retractor Set can be made to custom specifications.*



Please call Marina Medical Instruments for a free trial or further information.

Toll-Free 1-800-697-1119 • Local 954-924-4418  
[www.marinamedical.com](http://www.marinamedical.com)